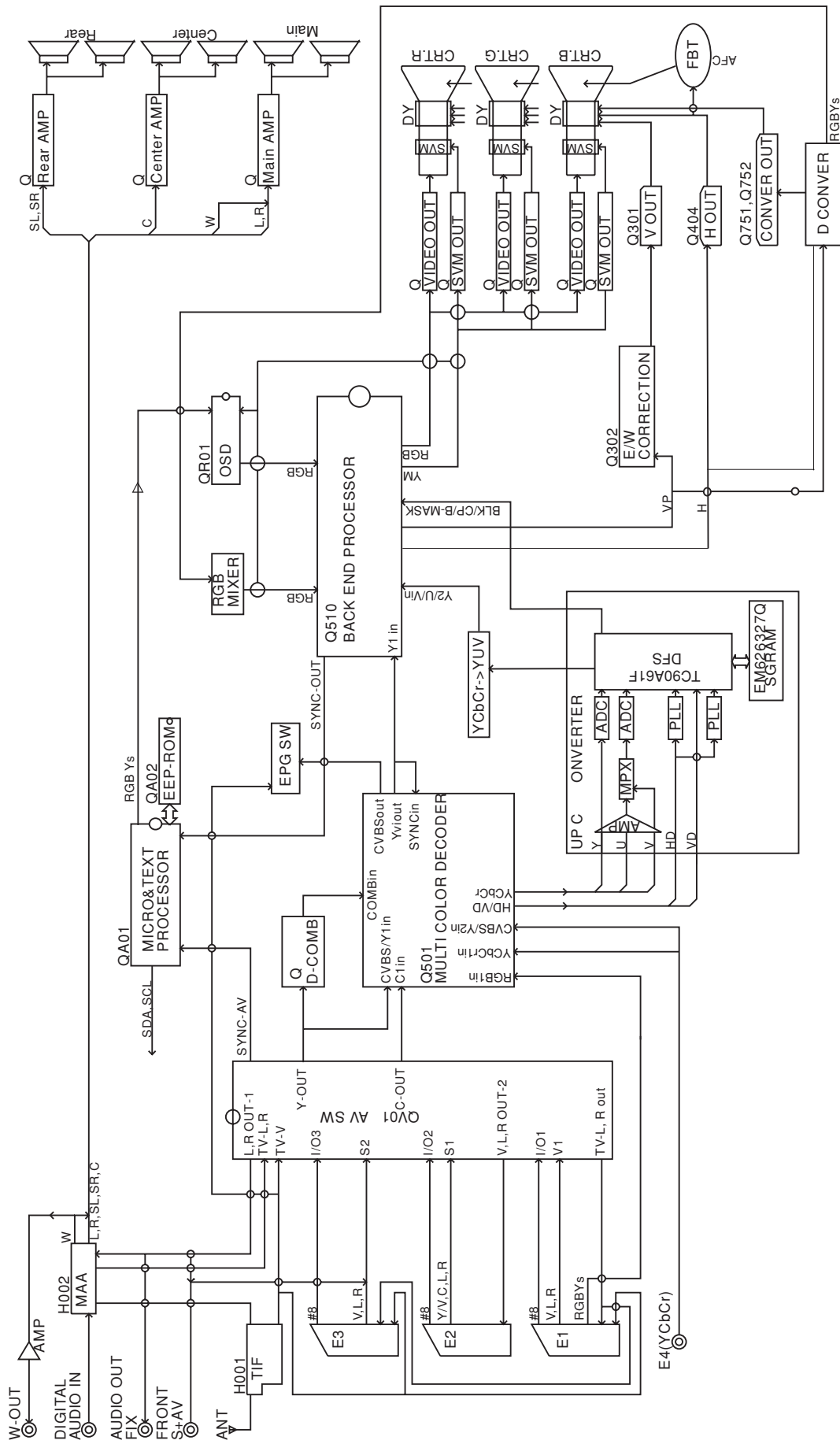
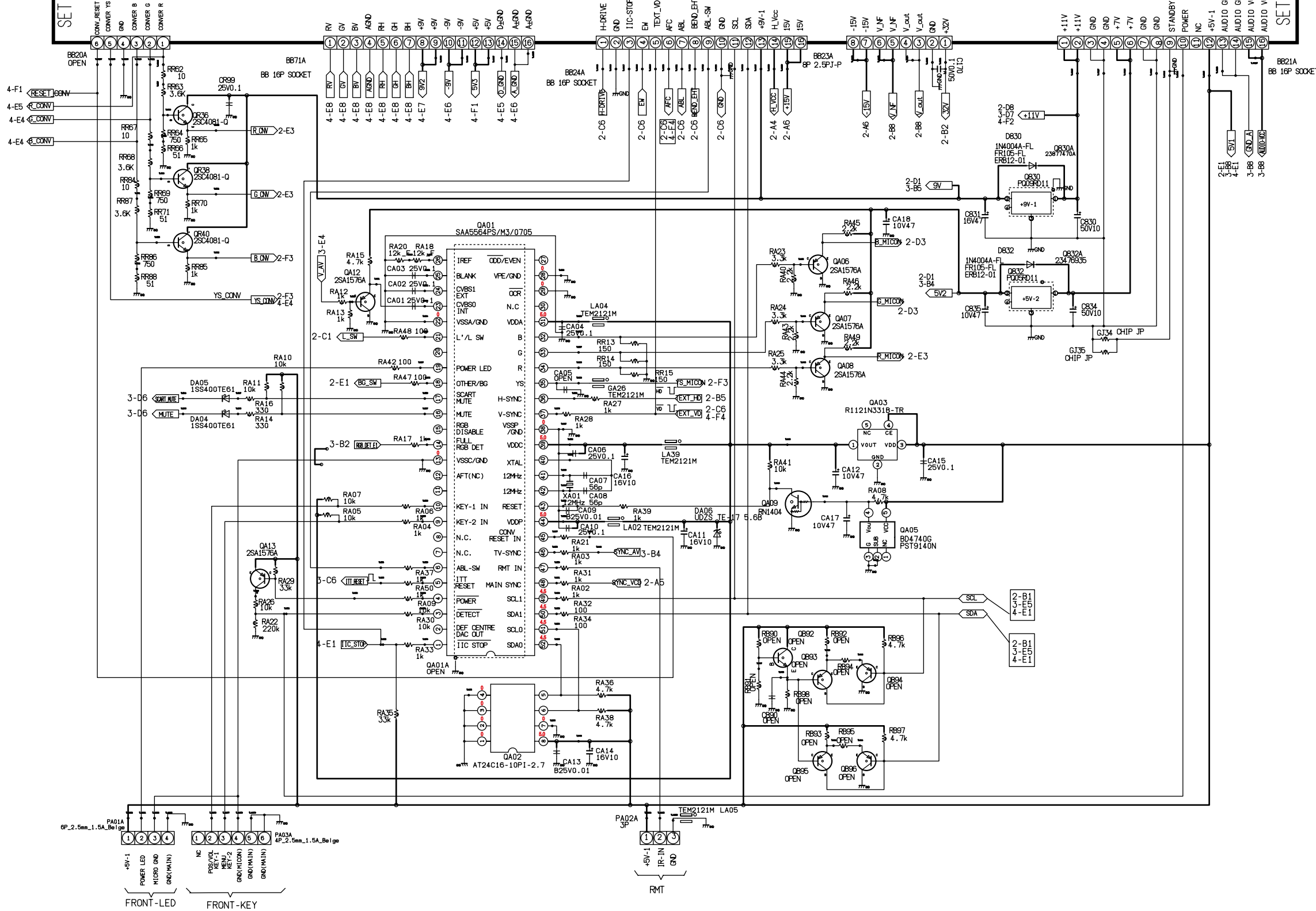


CIRCUIT BLOCK DIAGRAM



2001 Euro PJTV CIRCUIT BLOCK DIAGRAM

DEF/CONVER



43VJ22P
SIGNAL-MAICON/OTHER
[SHEET-1/4]

A

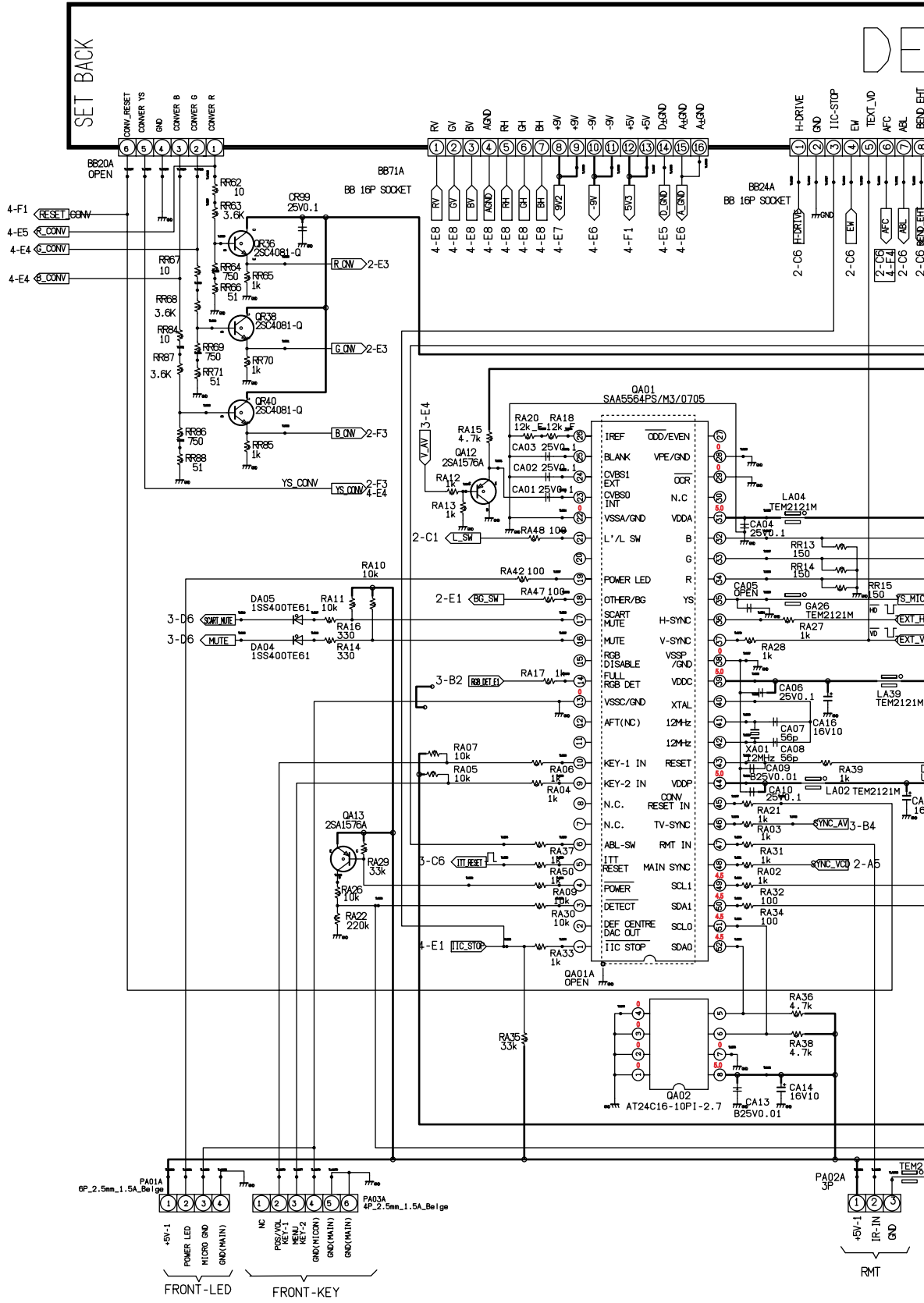
B

C

D

E

F

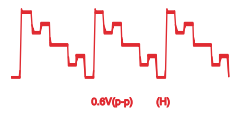
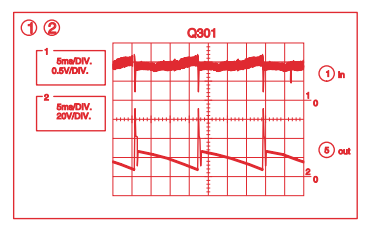
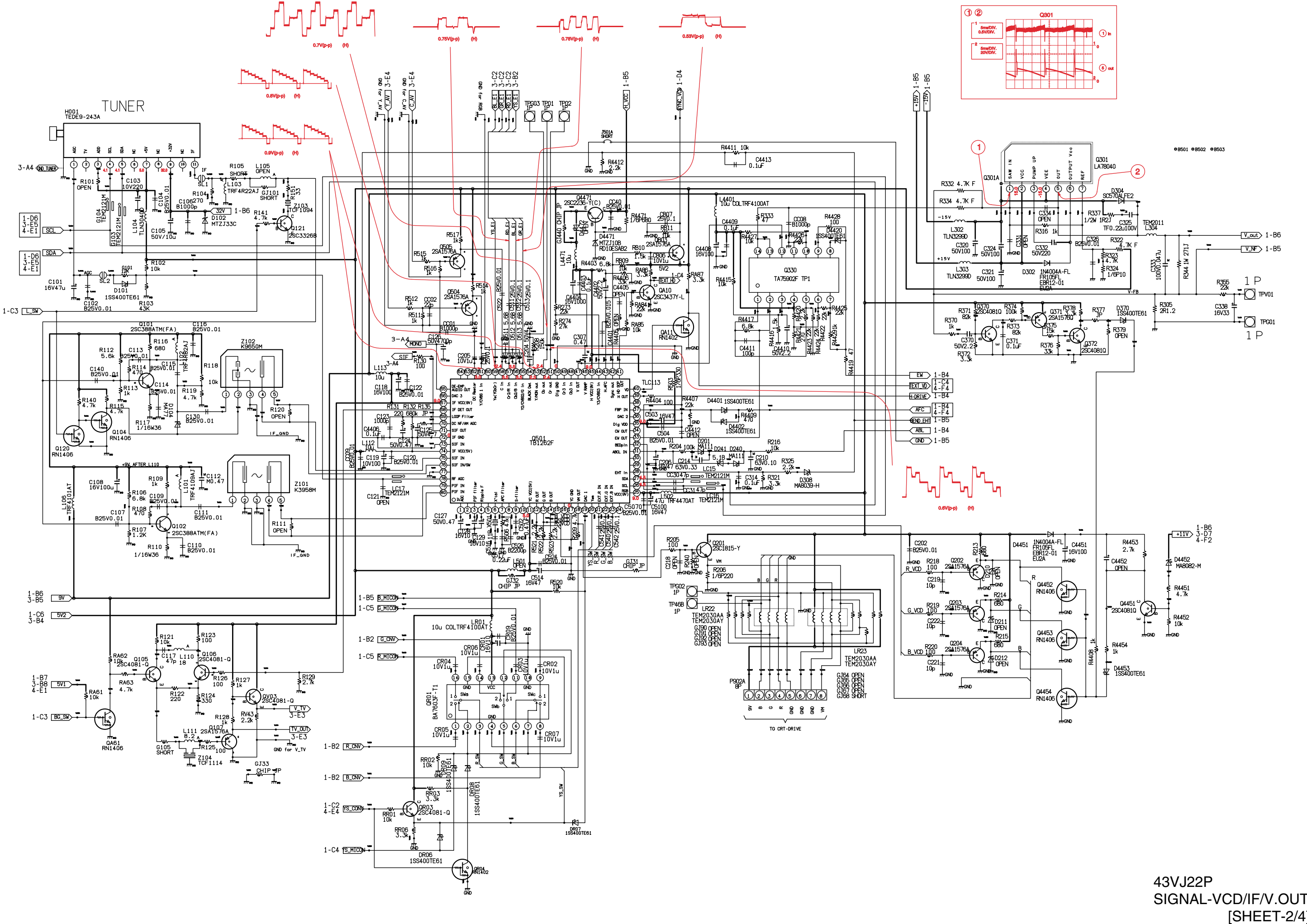


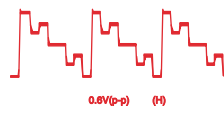
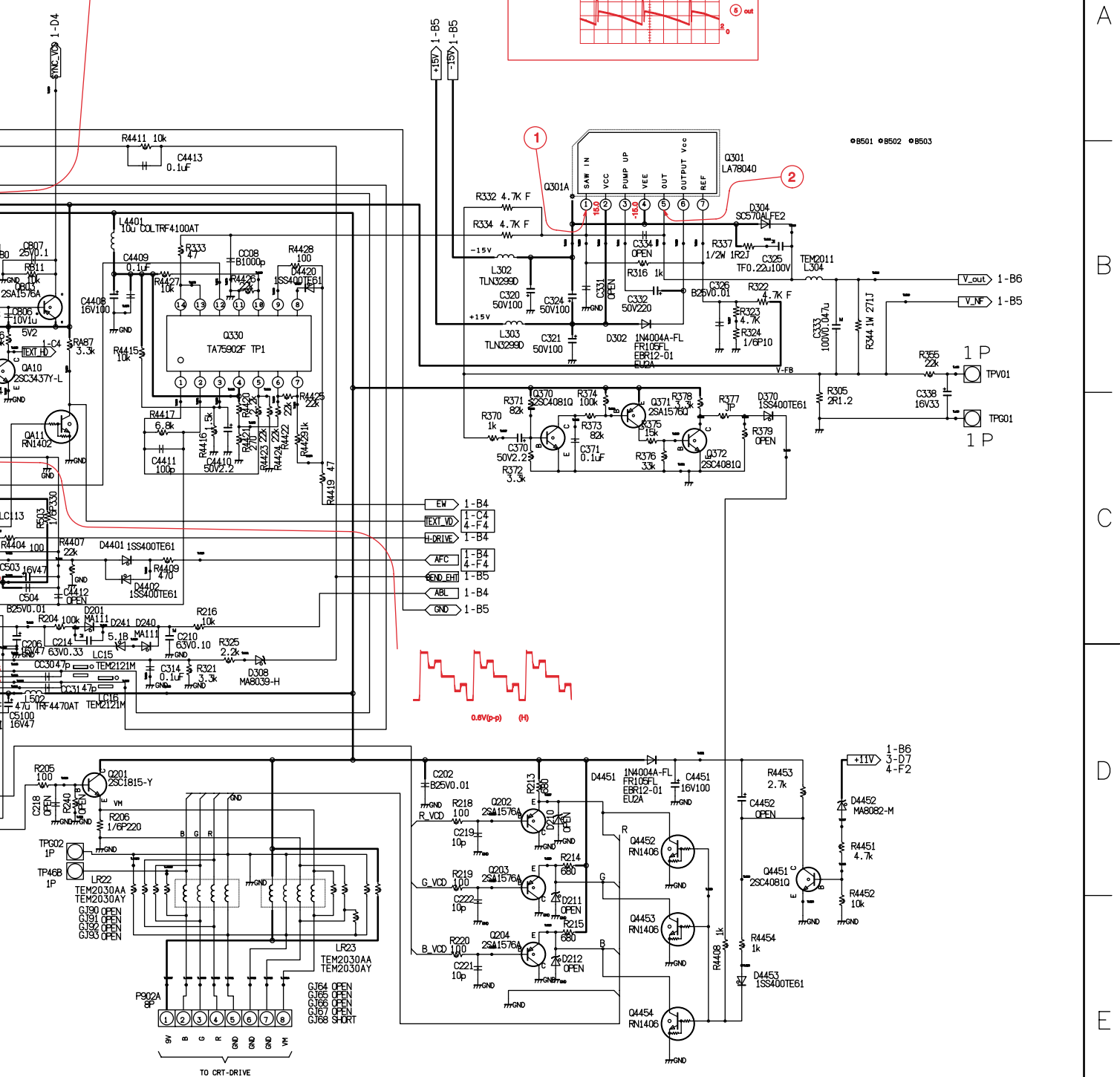
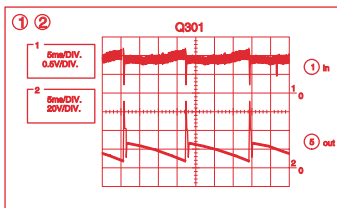
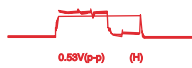
A
B
C
D
E
F

A
B
C
D
E
F

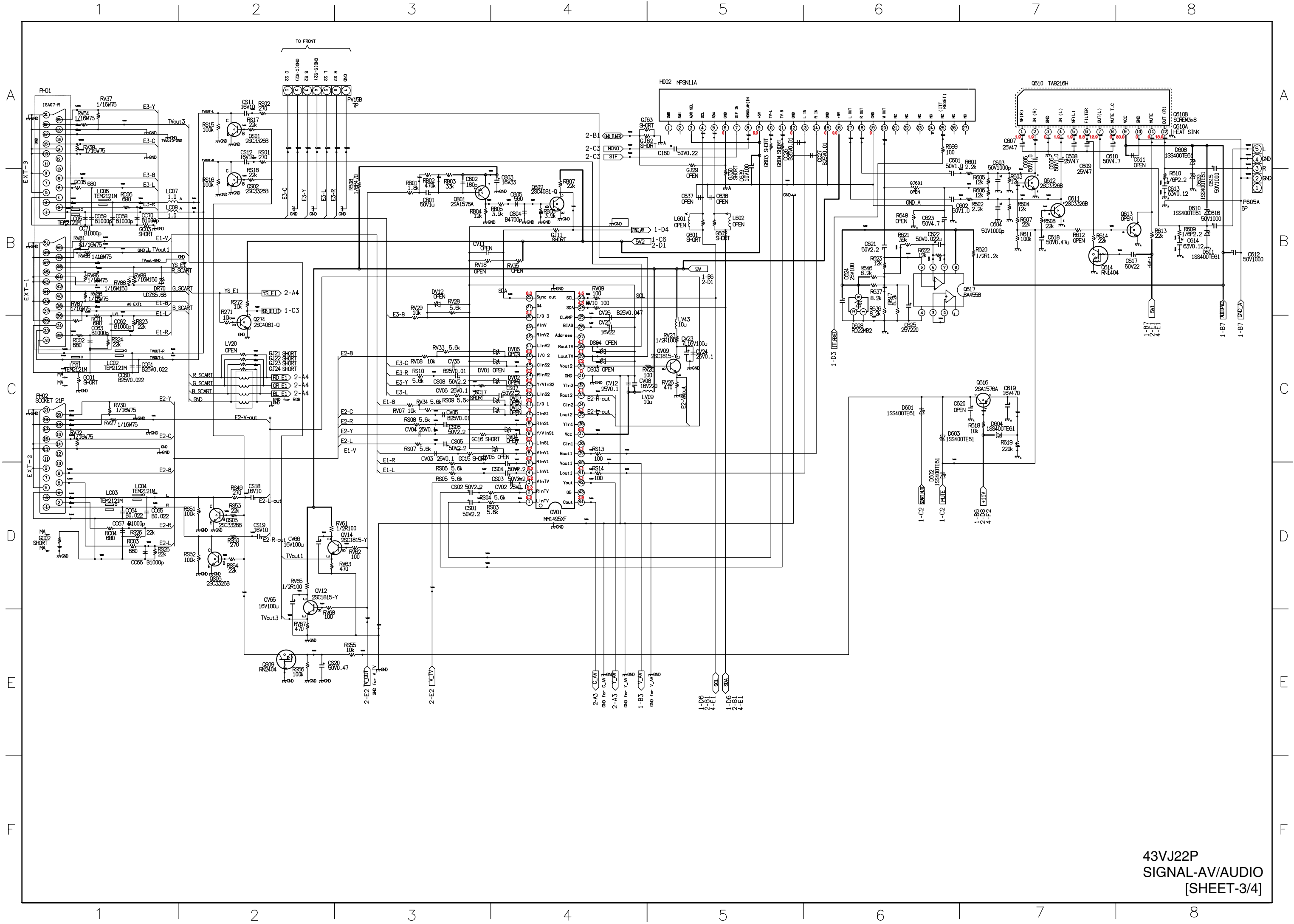
1 2 3 4 5 6 7 8

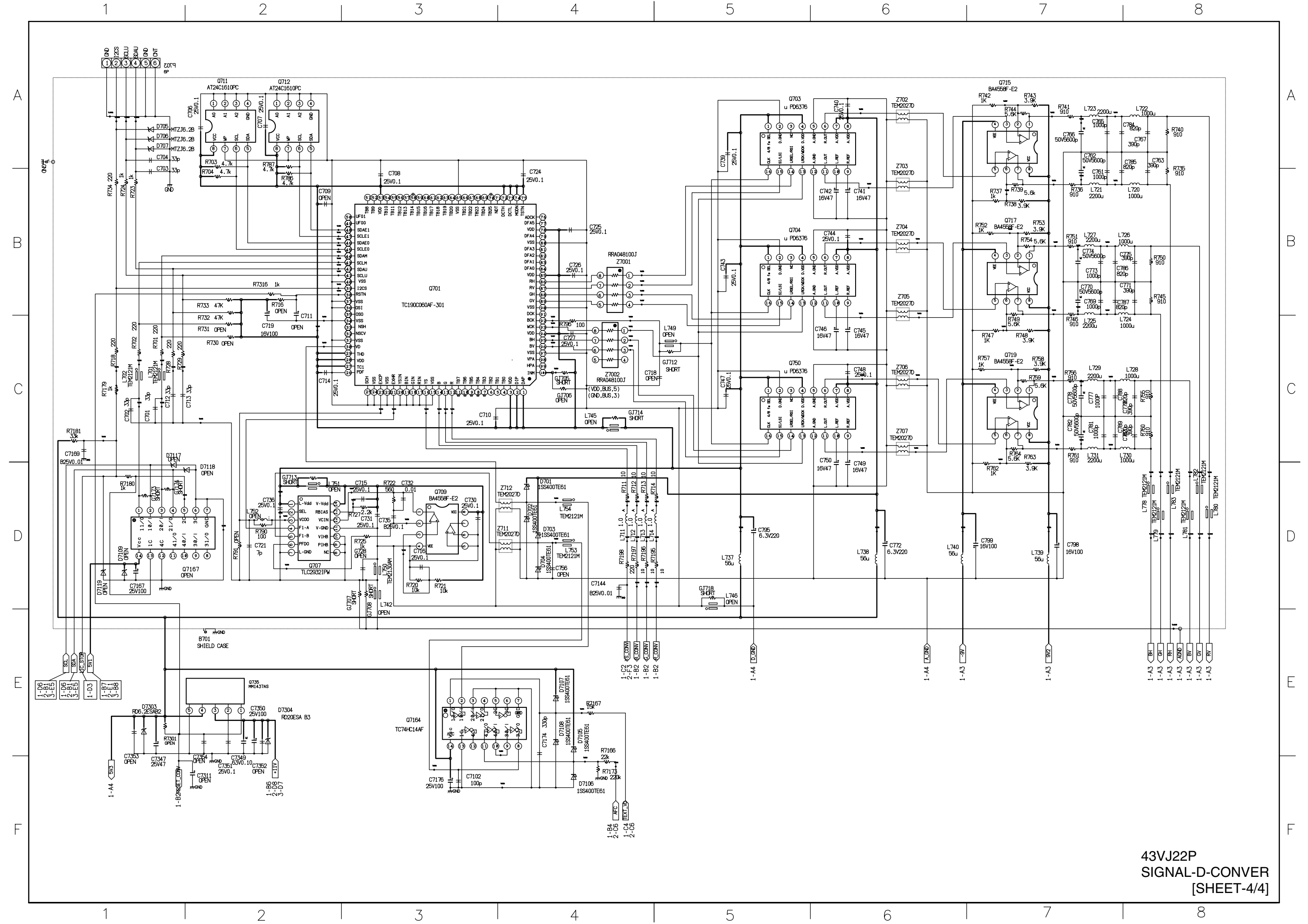
1 2 3 4 5 6 7 8

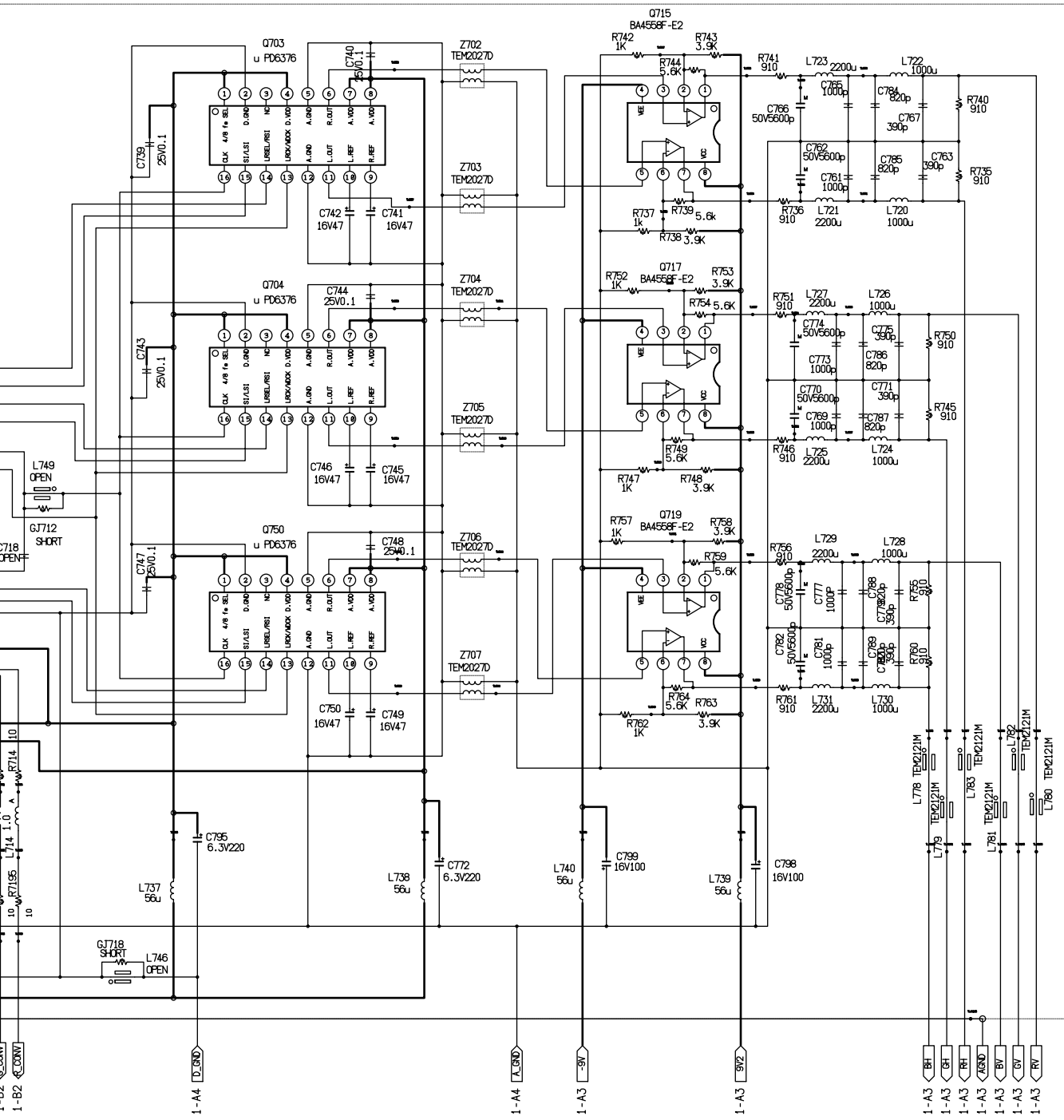




43VJ22P
 SIGNAL-VCD/IF/V.OUT
 [SHEET-2/4]







A

B

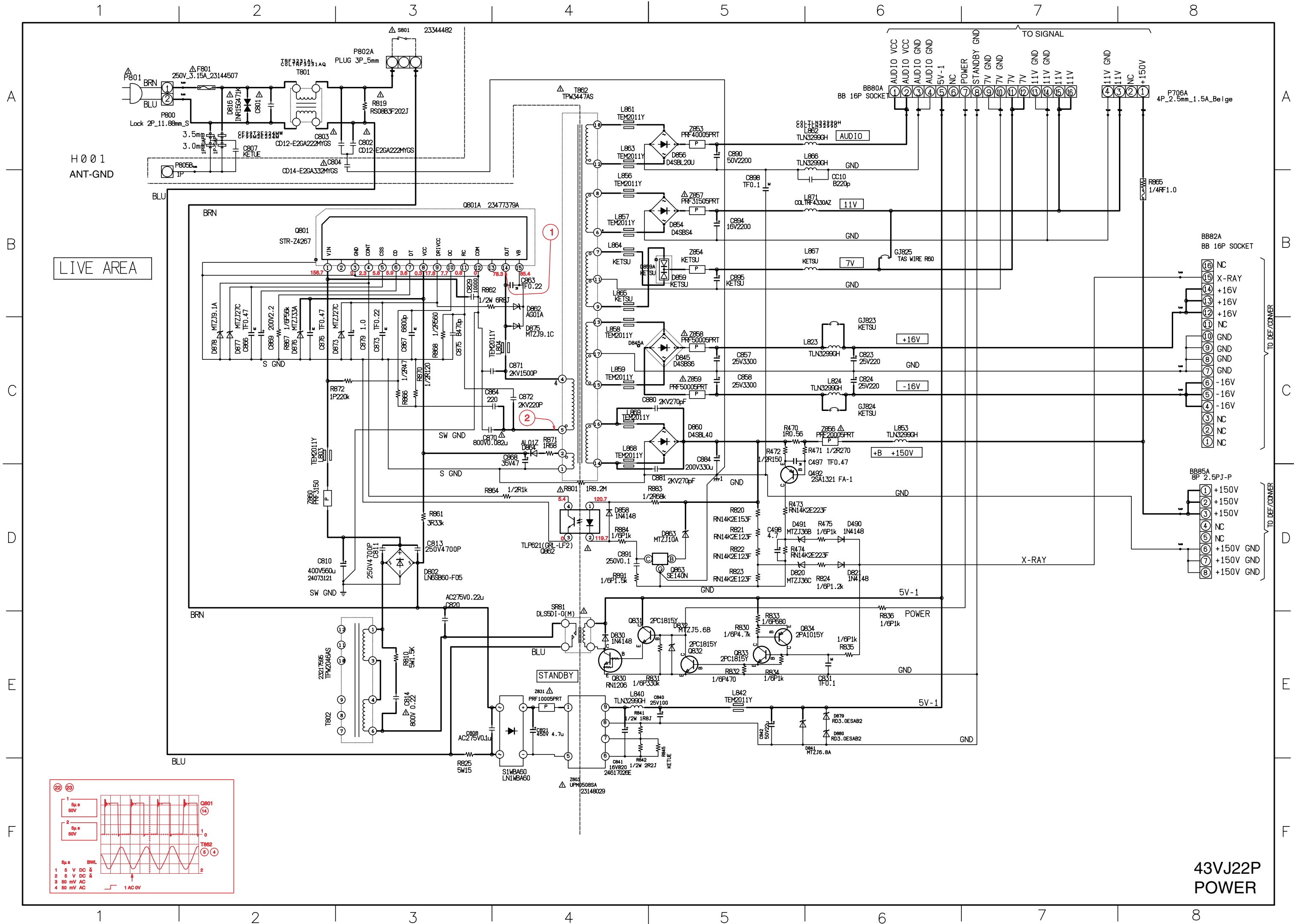
C

D

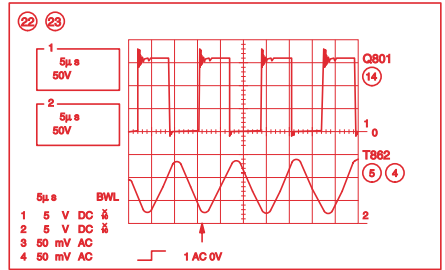
E

F

43VJ22P
 SIGNAL-D-CONVER
 [SHEET-4/4]



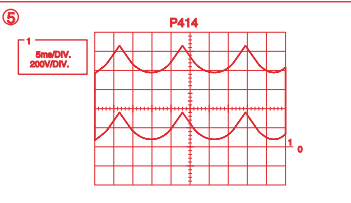
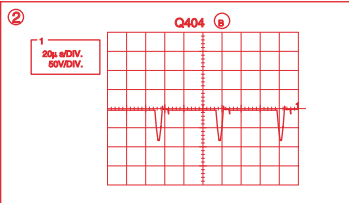
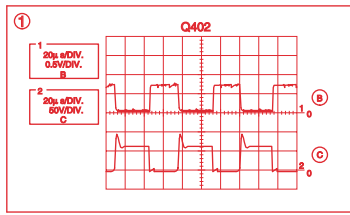
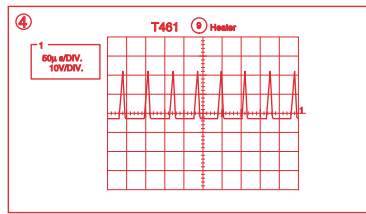
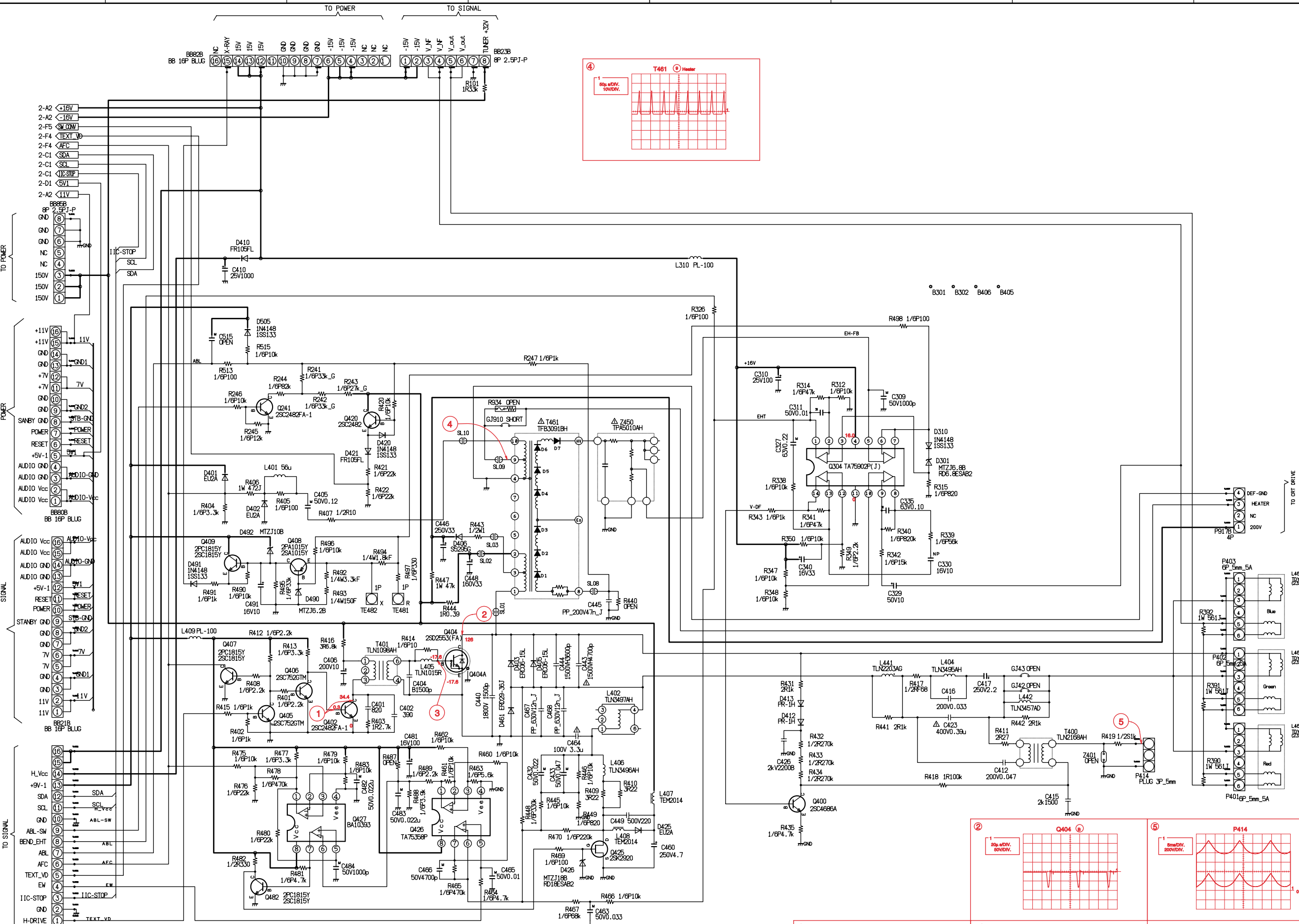
LIVE AREA



43VJ22P
POWER

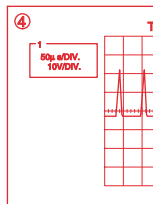
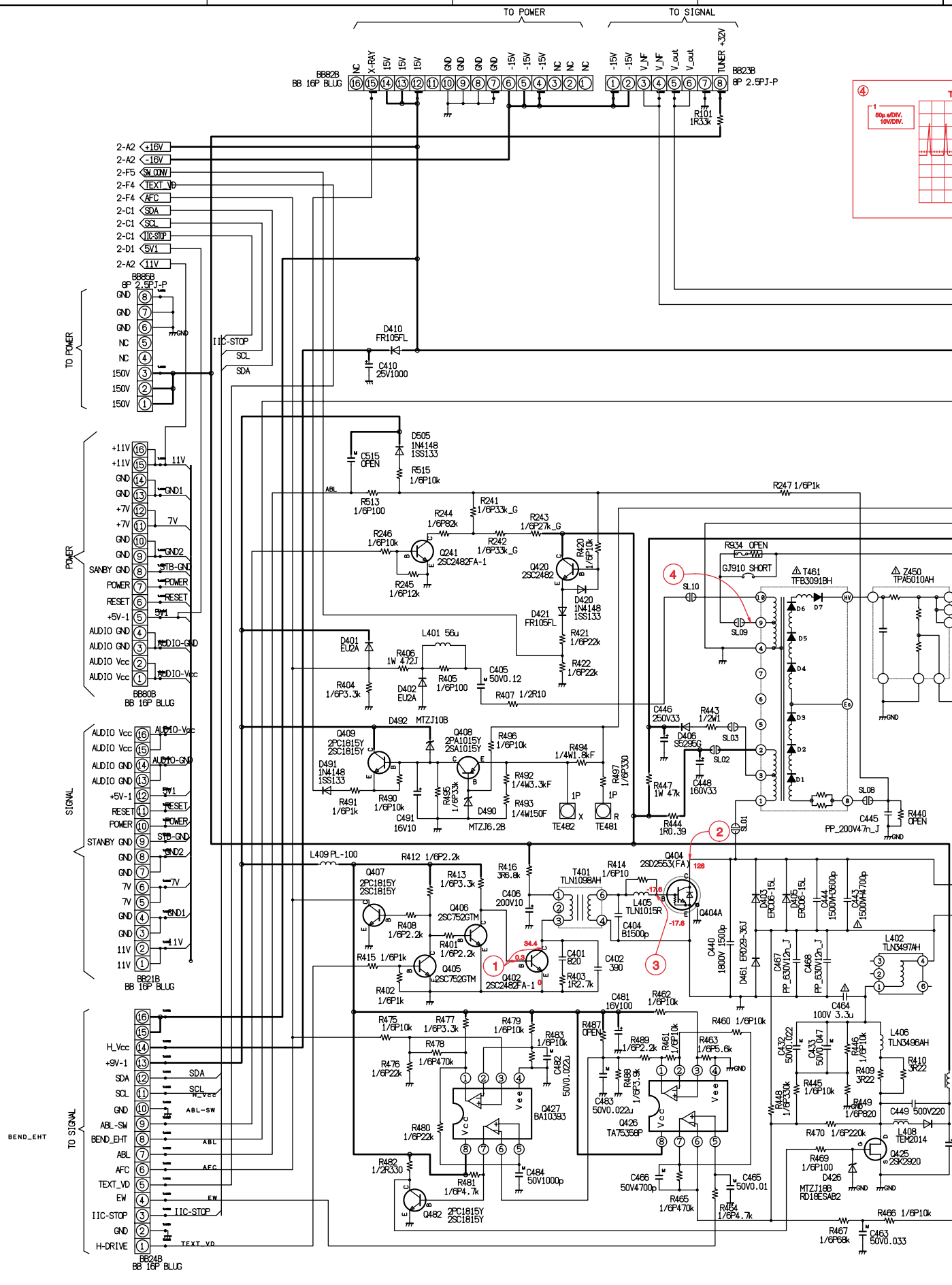
A
B
C
D
E
F

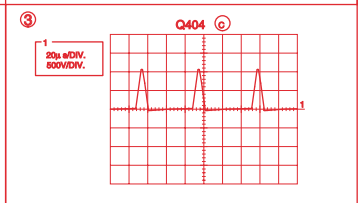
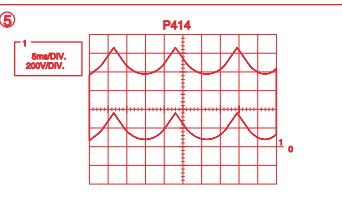
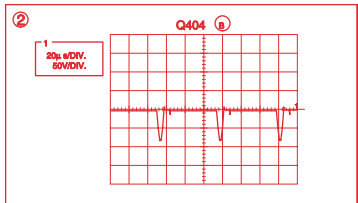
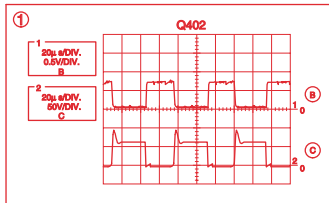
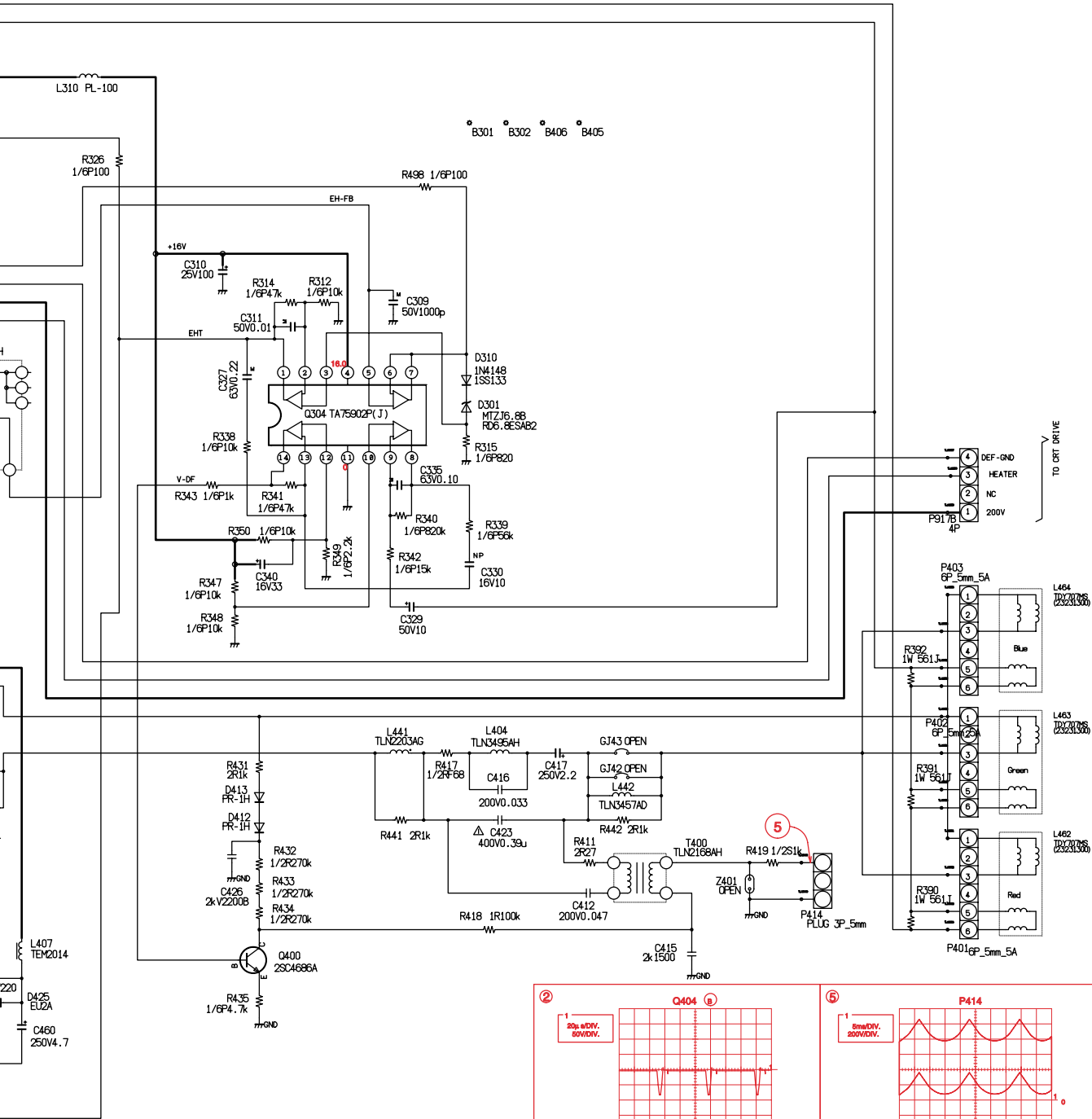
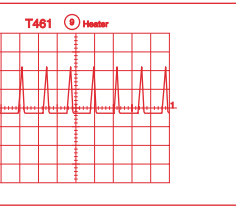
1 2 3 4 5 6 7 8



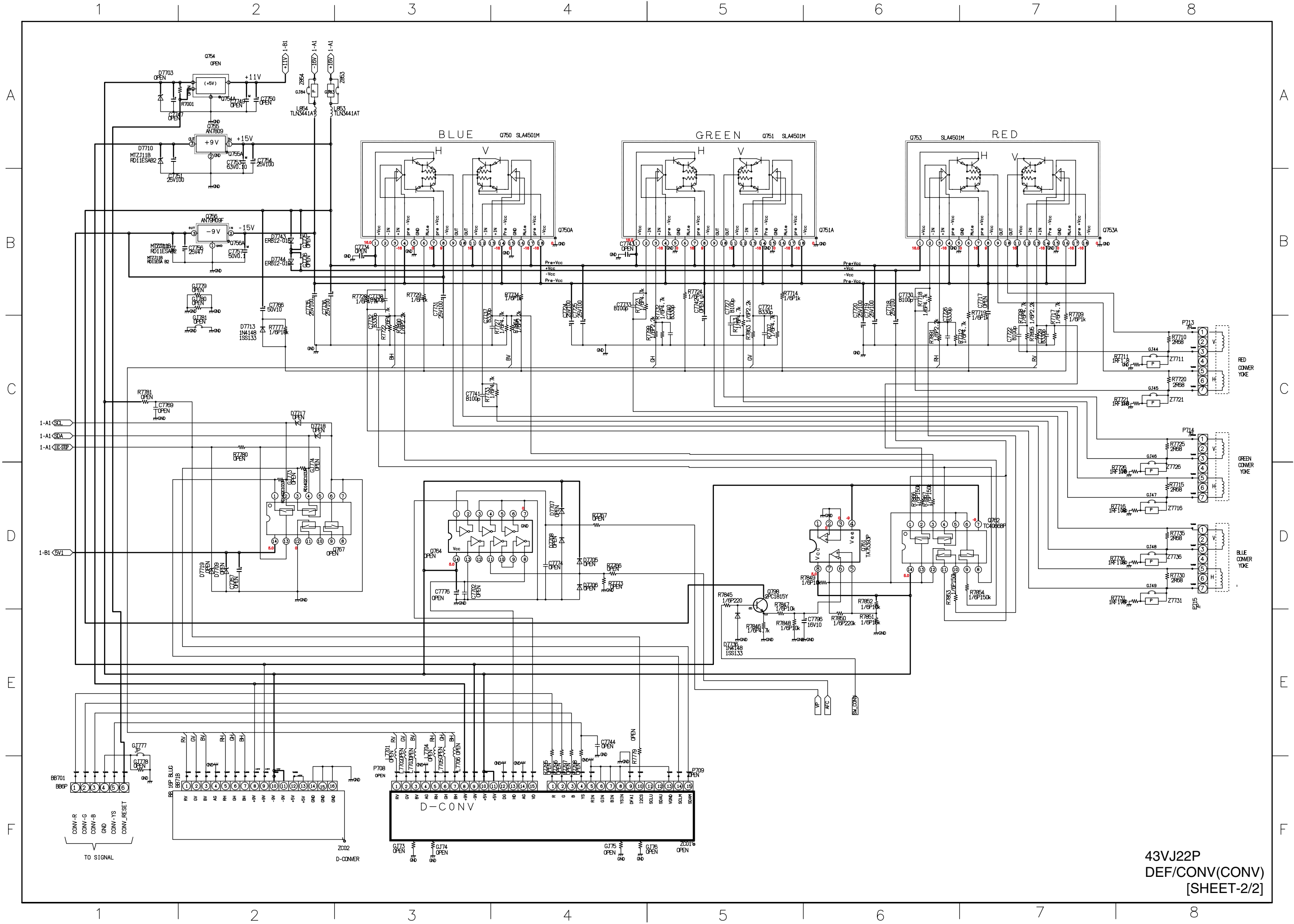
43VJ22P
DEF/CONV(DEF)
[SHEET-1/2]

1 2 3 4 5 6 7 8





43VJ22P
DEF/CONV(DEF)
[SHEET-1/2]



43VJ22P
 DEF/CONV(CONV)
 [SHEET-2/2]

A

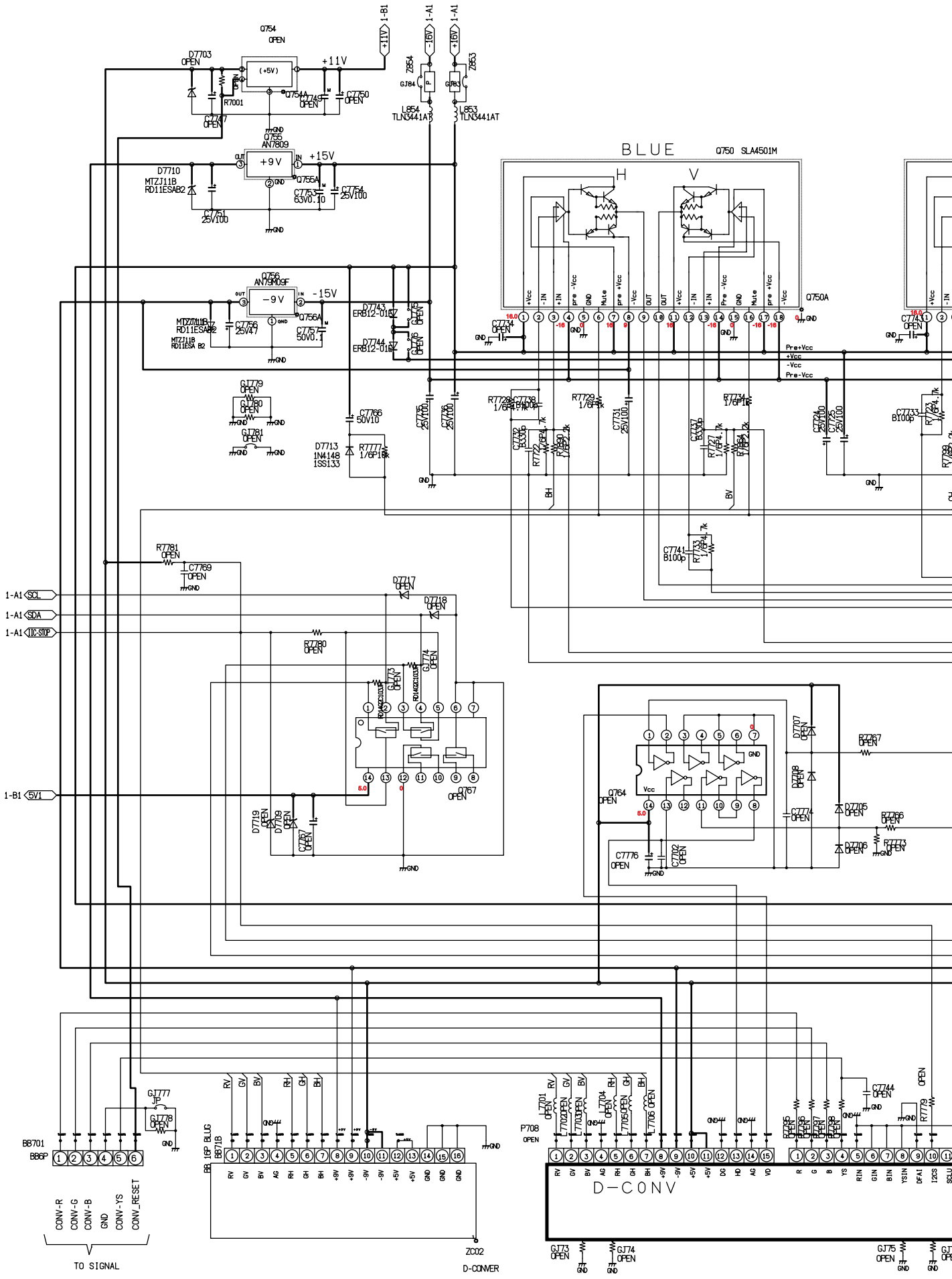
B

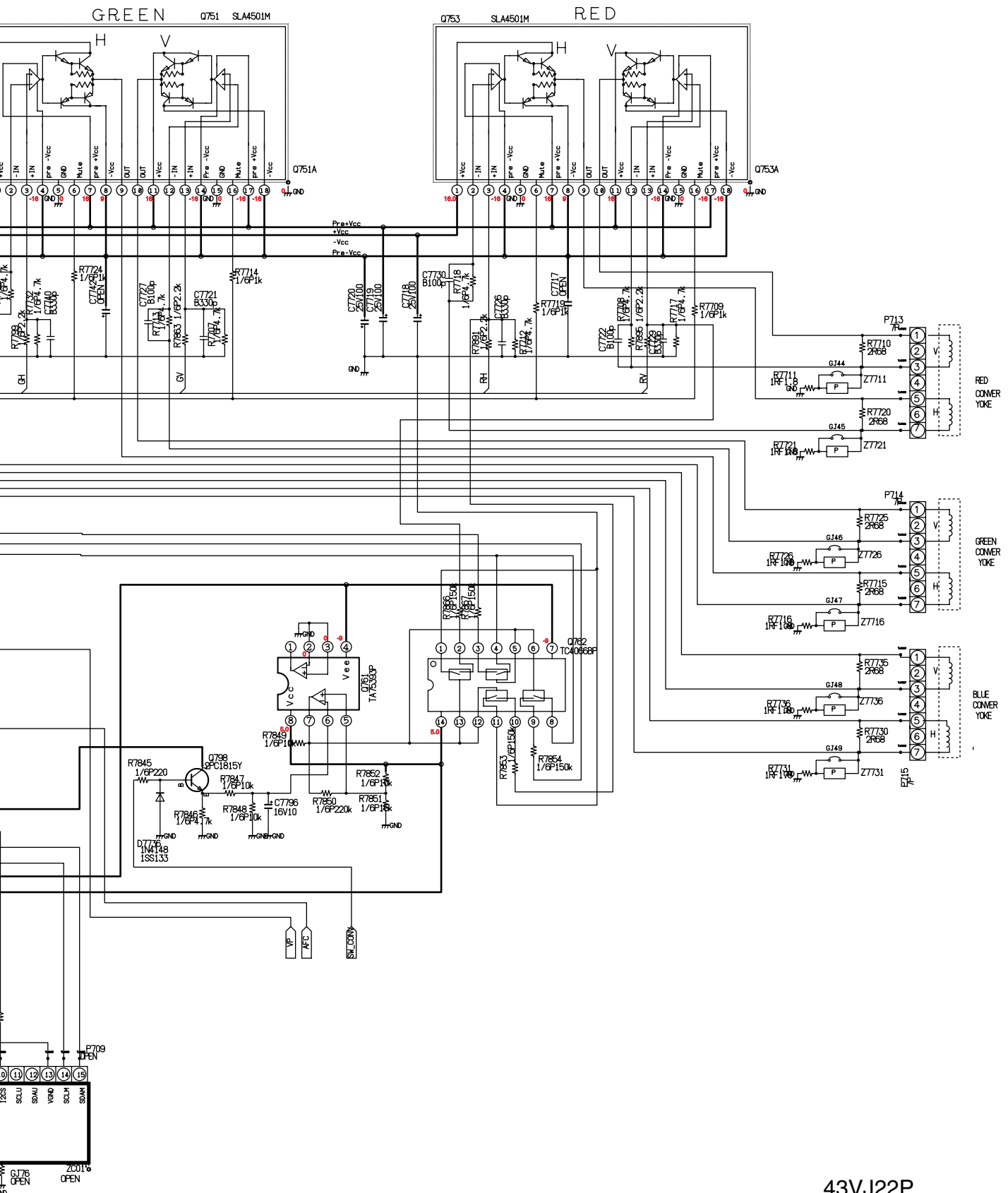
C

D

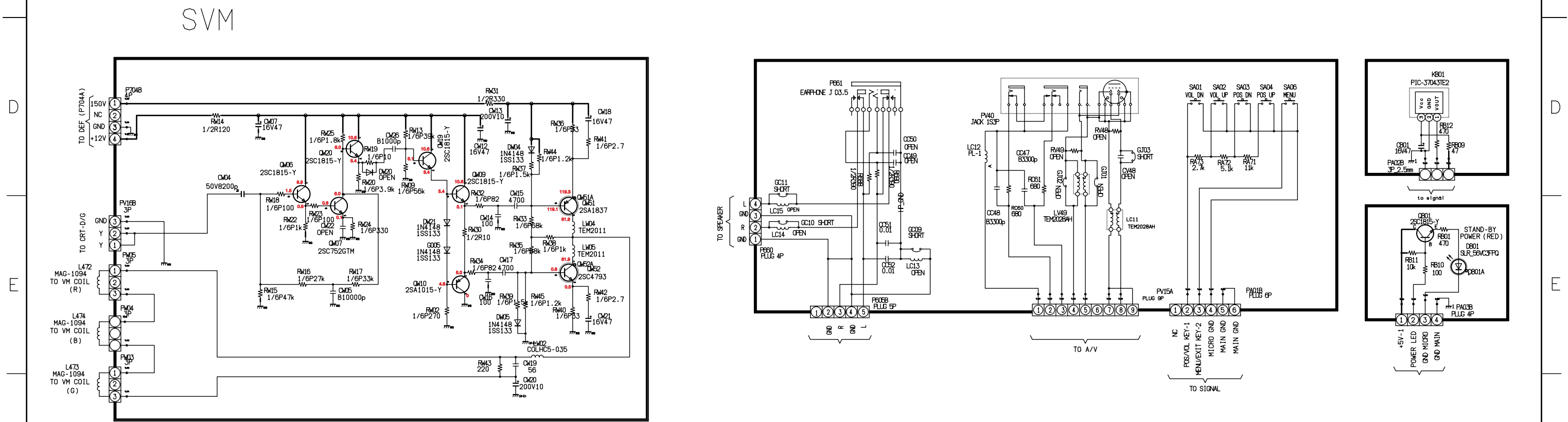
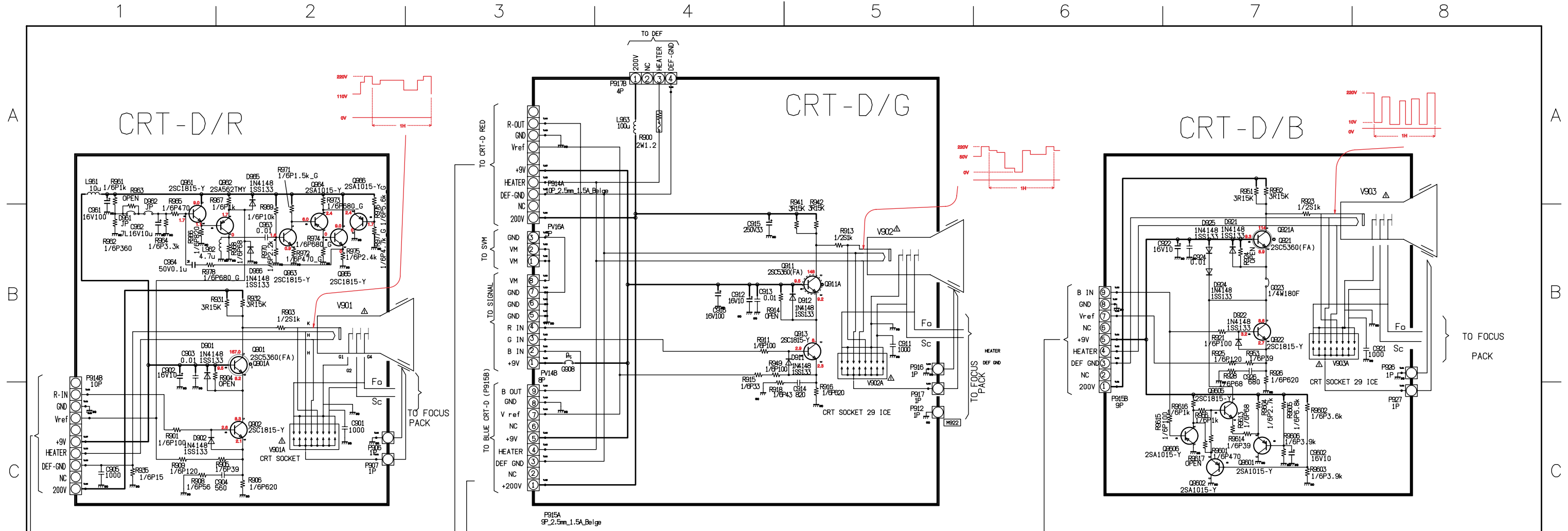
E

F





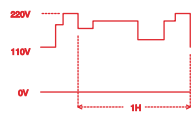
43VJ22P
 DEF/CONV(CONV)
 [SHEET-2/2]



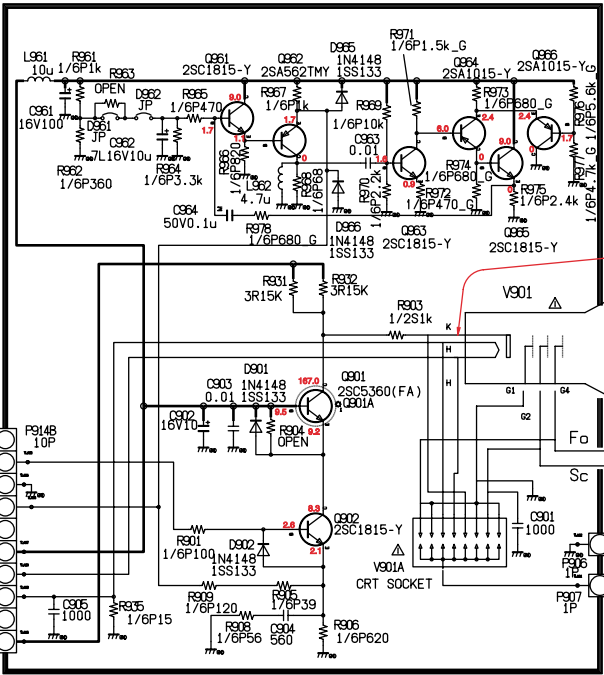
43VJ22P
CRT-D/SVM/FRONT

A

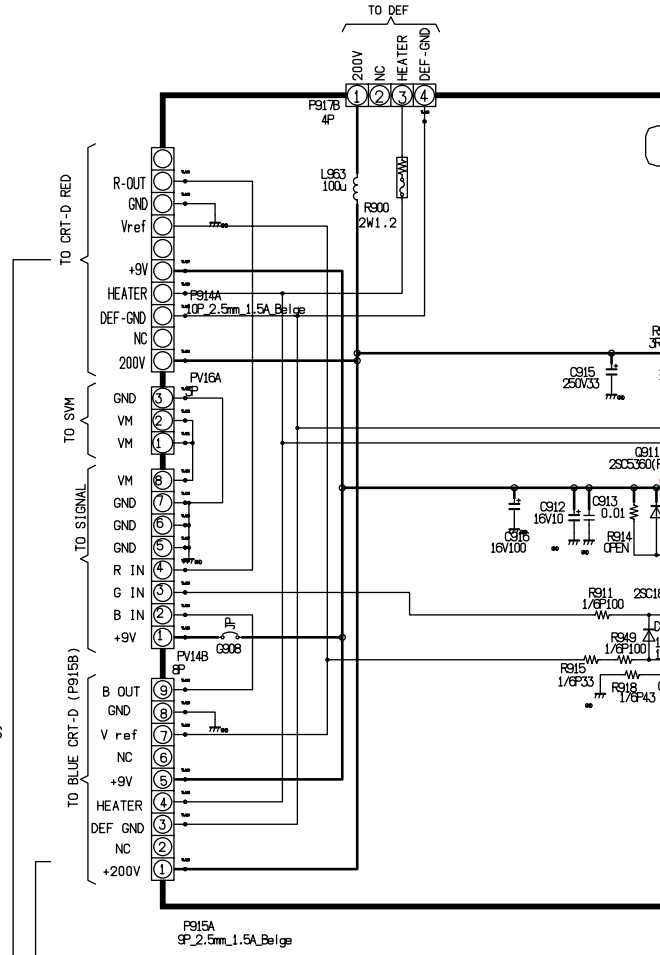
CRT-D/R



B

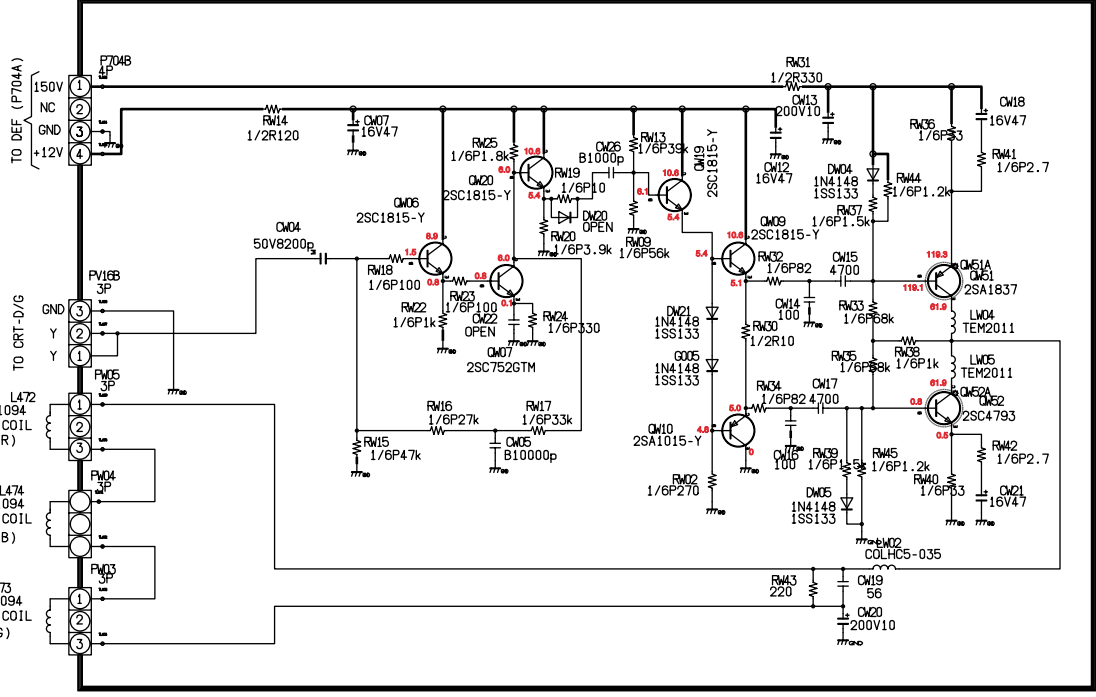


C

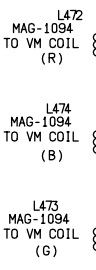


SVM

D



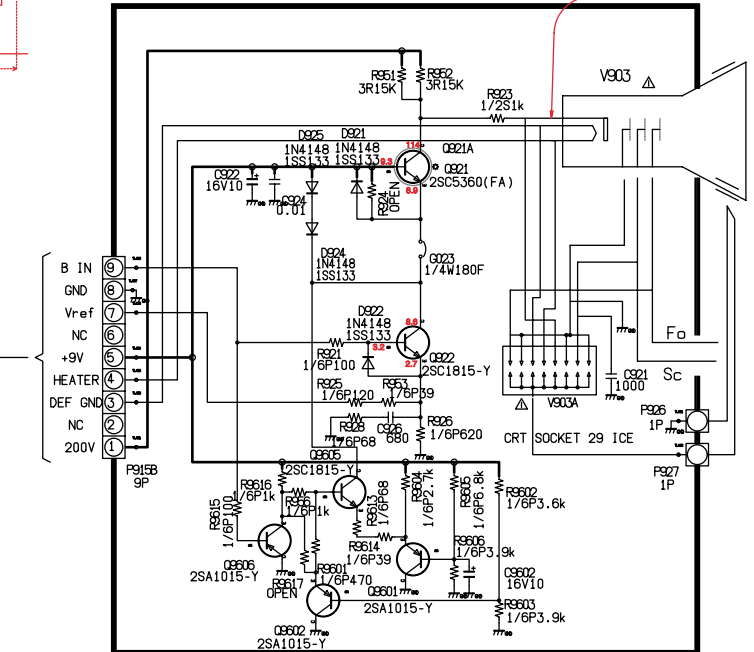
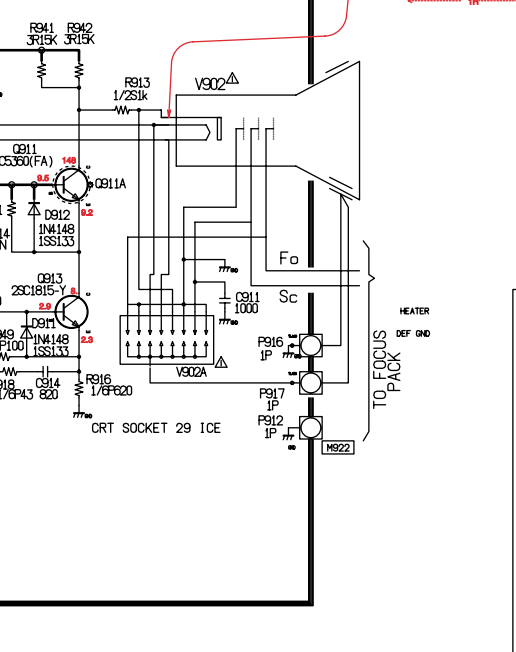
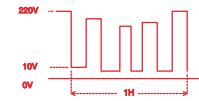
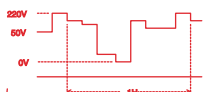
E



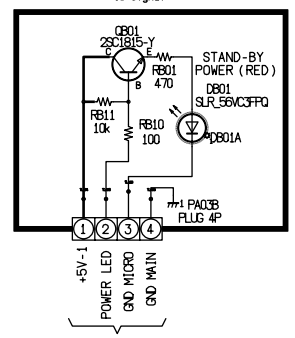
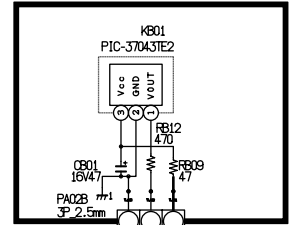
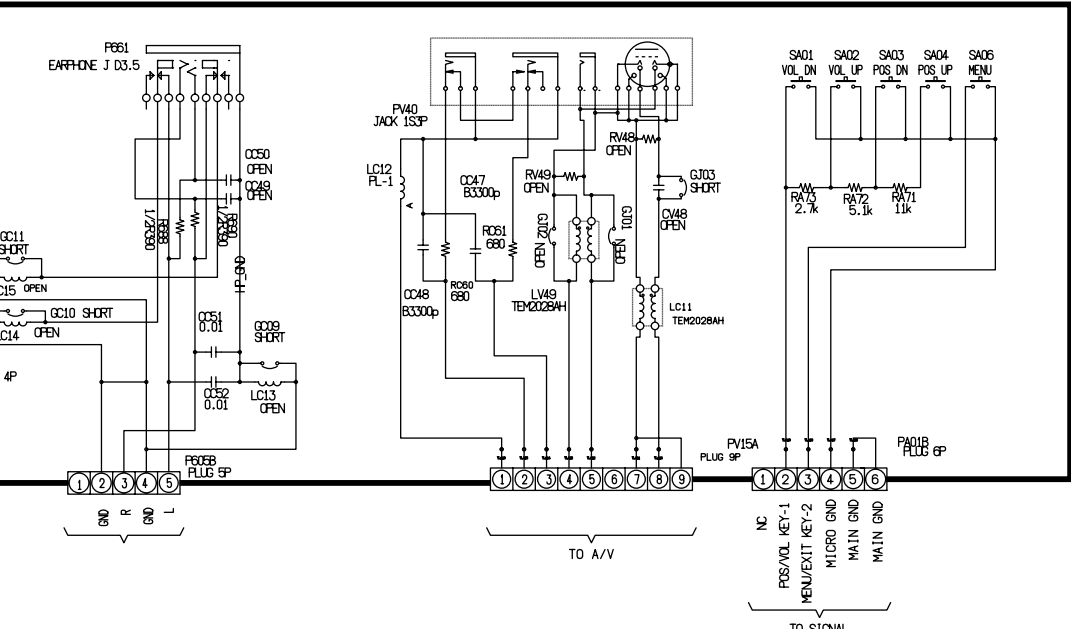
F

CRT-D/G

CRT-D/B



TO FOCUS PACK



43VJ22P CRT-D/SVM/FRONT